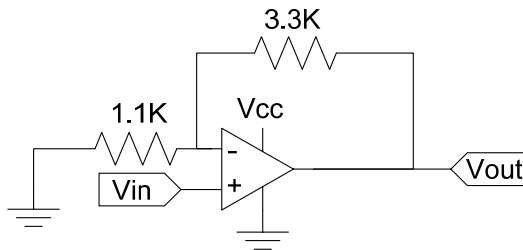




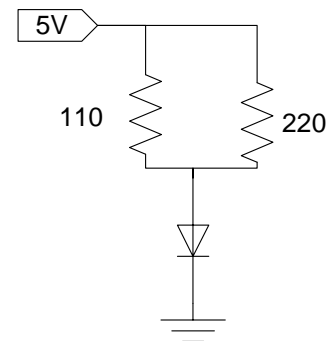
INTAKE QUIZ

NAME: _____

1. Given an ideal op-amp, what is V_{out}/V_{in} ?



2. Given a typical Silicon diode, and a V_{cc} of 5.0 Volts:



- What is the voltage at the center tap?
- How much current flows through each resistor?
- How much power is dissipated by this circuit?

3. Write a C for loop that counts from 0 to 100 in steps of 5 (and reaches both 0 and 100).

4. Write C code to clear bit 5 of an 8 bit value, *val*, but leave the other bits unchanged.